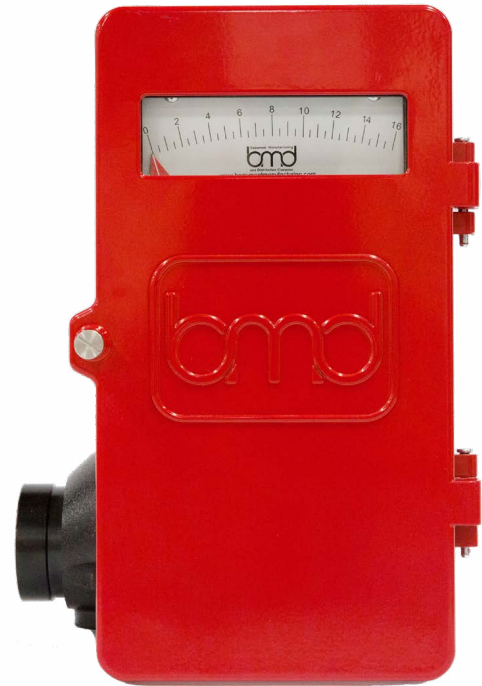


Atmospheric Tank-Level Indicator LC40 Models

The LC40 is a head pressure-operated level controller meant for use on atmospheric storage vessels. The unit can be used as an easy-to-read, real-time visual indicator showing the height of the liquid in a vessel or tank. The switch option includes a SPDT electric switch that can be set to trigger at different heights for rising and falling level. It has adjustment knobs for zero offset as well as for span which is used to set it for different specific gravity fluids.

The LC40 senses the head pressure of the liquid in the vessel by means of a diaphragm. The pressure is then translated to height by means of the linkages in the unit. The fluid height is indicated by the position of the pointer on the height scale. As the pointer moves across the scale with rising liquid height, it triggers the switch.



Specifications

Inlets:

2" NPT
2" grooved

Scale Ranges Available:

0-16', 0-24', 0-30'

Max Diaphragm Pressure:

25 psi

Temperature Range:

-20° F to 225° F (-28° C to 107° C) (varies by material selections)

Electric Switch Ratings:

SPDT: 5A @ 125, 250, 480 VAC
1/2A @ 125 VDC, 1/4 @ 250 VDC

Materials:

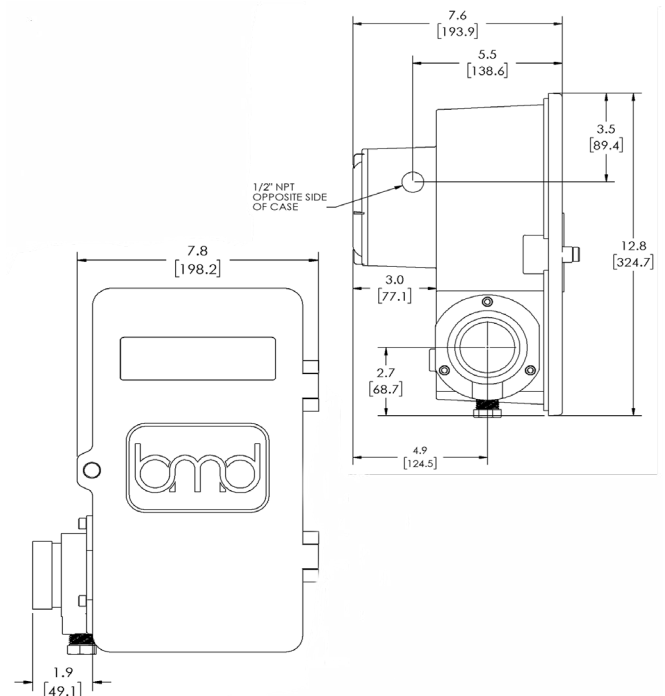
Case: Aluminum
Inlet: Ductile iron, 316 SST
Diaphragm: Buna, Viton®

Electrical Connection:

1/2" female NPT

All trademarks and service marks used in this document are the property of their respective owners. This Beaumont Manufacturing and Distribution Co. product is exclusively distributed for new equipment packages by FW Murphy in the Natural Gas Compression market.

Dimensions



Installation

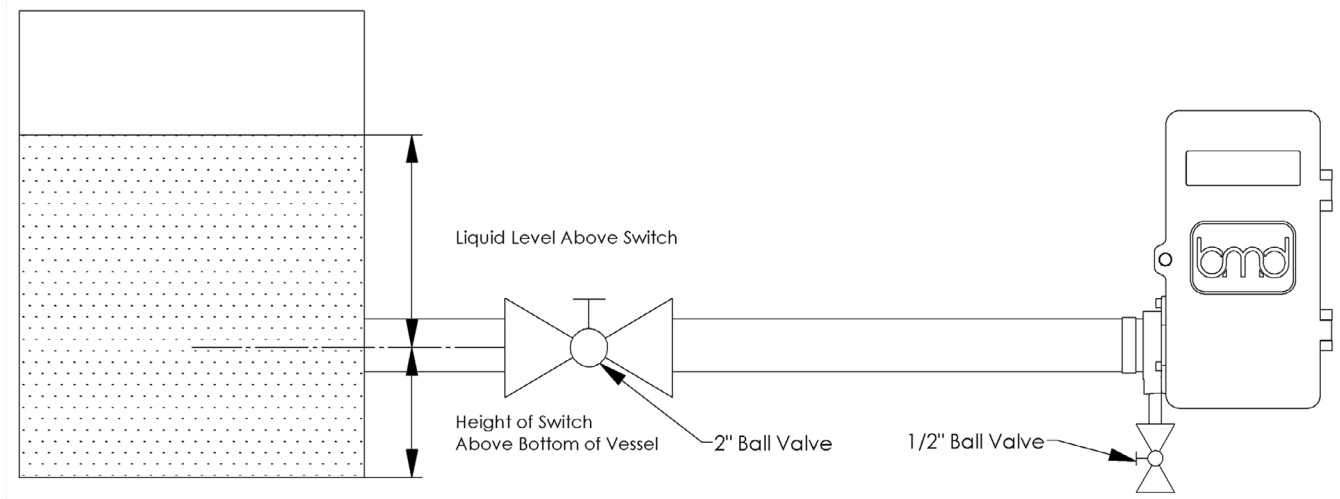
The LC40 measures liquid head pressure, therefore the height above the bottom of the vessel at which the unit is installed is important for the calibration of the unit.

Example of proper installation:

If the unit is installed 3' above the bottom of the vessel, set the LC40 to read 3' with no pressure on its inlet.

Results: The unit will not measure the level in the 3' below the mounting point.

Always install an isolation valve between the LC40 and the vessel for calibration and maintenance. It is recommended to install a drain into the bottom of the inlet.



How to Order

Options are listed below. All configurations may not be available. Call your sales representative or FW Murphy for more information.

Example Model No. **LC40E-V1B-16**

LC40 Electric Head Pressure Switch, 2" Grooved Inlet, Buna Diaphragm, 0-16' Scale

| | | | | | | | |
|-------------|------------------------------------|---|-------------------------------|---------------------------------|---------------------------|---|---|
| LC40 | E | - | V | 1 | B | - | 16 |
| | Type | | Inlet | Inlet Material | Diaphragm Material | | Scale |
| | E = Electric I = Indicator Only | | V = 2" Grooved N = 2" FNPT | 1 = Ductile Iron 2 = 316 SST | B = Buna V = Viton® | | 16 = 0 to 16 ft 24 = 0 to 24 ft 30 = 0 to 30 ft |

FW Murphy is the exclusive BMD distributor for new equipment packages.



CONTACT

✉ sales@rajkotmarinellc.ae
☎ +971 6 7487580
🌐 www.rajkotmarine.com

RAJKOT MARINE LLC

Jerf Industrial Area 1,
P.O Box 5861
Ajman, UAE

